

HEAVY DUTY INDUSTRIAL CHANNEL FIXTURE



HDIC96T-632EBUNIV: 6-lamp T8 Industrial Fixture

General Description: **Series HDIC** heavy duty industrial channel fixtures are ideal for high-bay warehouse and workspace lighting applications. Fixture body is made from rugged 22 GA steel and reflector is made from 24 GA steel. Ribbed reflectors are available in solid or slotted (10% up-light) configurations. **Series HDIC** heavy duty industrial fixtures are available in 48" and 96" lengths, 2, 4 and 6 lamp tandem configurations and are available with standard and high-light output ballasts. Fixtures are available in T8 and T12 configurations, and may utilize turret style lampholders.

Ballast Specifications: Standard fixtures utilize instant start electronic ballasts. All ballasts carry a five year warranty. Universal voltage (120v -277v) ballasts are standard on all T8 fixtures. All ballasts have input frequency 50/60Hz, low THD: <10%, and minimum starting temperature of 0 F(-18 C). All ballasts are UL & cUL listed, and meet ANSI C82.11 specifications for electronic ballasts. High light output, low light output, rapid start and programmed rapid start ballasts available.



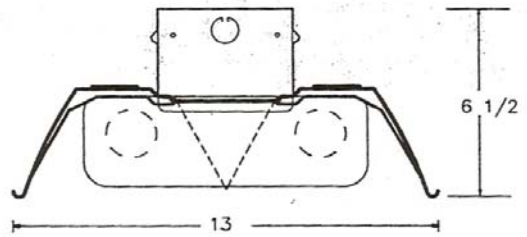
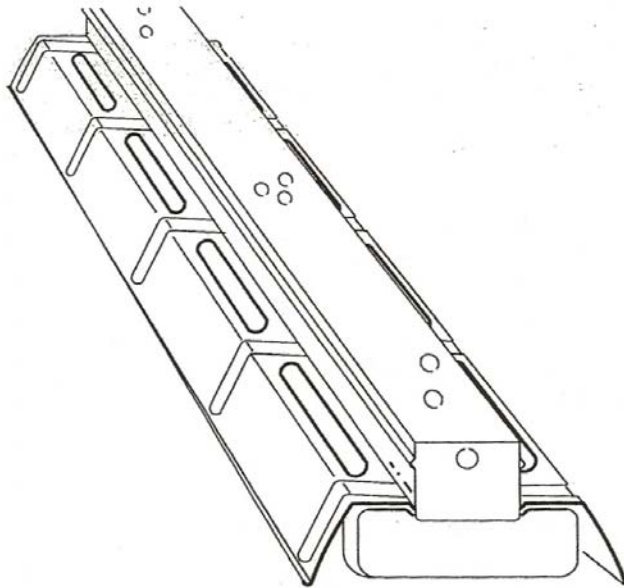
Commercial Lighting Company

4930 Leary Ave NW
Seattle, Wa. 98107
Ph (206) 682-6385
Fax (206) 624-6163

www.commerciallightingcompany.com

Ordering Information: HDIC96T-632EBUNIV

<u>HDIC</u>	<u>96T</u>	<u>632</u>	<u>EBUNIV</u>	<u>-TS</u>	<u>-UL</u>
Series HDIC	Length:	Lamps/Watts:	Ballast:	Turret Style:	Uplight 10% :
	48"	2/32w (T8)	EBUNIV	Yes - TS	Yes - UL
		3/32w (T8)	EBUNIV-HLO	No - none	No - none
		4/32w (T8)			
	96"T	4/32w (T8)			
		6/32w (T8)			
		8/32w (T8)			



**End and Top View Series HDIC
With Turret Ends and Uplight**

Commercial Lighting Company

4930 Leary Ave NW
Seattle, WA 98107
Ph (206) 682-6385
Fax (206) 624-6163

www.commerciallightingcompany.com

HDIC Model Options:

- 10% Up-Light or Solid Reflector Designs
- Standard bi-pin twist lock T8 or T5 lampholders
- Also available with Industrial Turret Style Lampholders; T8 and T5 models