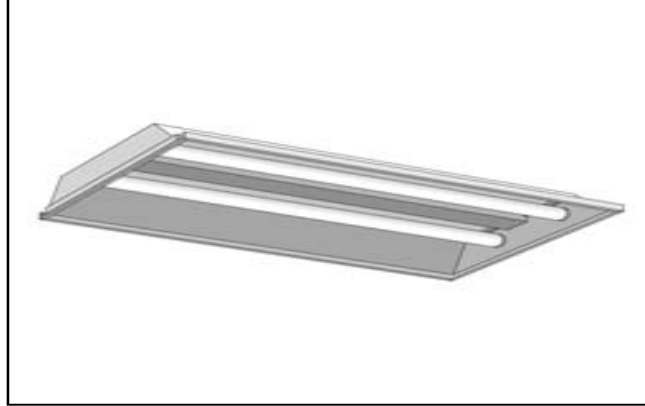


Commercial Economy Lay-In Troffer



General Description: The **CEL Series** fixture is a recessed lay-in 2 x 2 and 2 x 4 fixtures for use with prismatic lenses or celled louvers in exposed T-bar ceilings. CEL Series fixtures are available in 2, 3 and 4 lamp linear fluorescent and U-lamp configurations, and can accept prismatic lenses or parabolic louvers. Fixtures are designed for surface, stem or chain hanging and may hang as individual units or in continuous rows. Unit is assembled locally and can be made to meet any job specifications for voltage and efficiency.

Ballast Specifications: Standard fixtures utilize instant start electronic ballasts. All ballasts carry a five year warranty. Universal voltage (120v -277v) ballasts are standard on all T8 fixtures. T12 fixtures require voltage specification (120v or 277v). All T8 ballasts have a min. ballast factor $>.87$ as ANSI specified, and a min. power factor $>98\%$. All ballasts have input frequency 50/60Hz, low THD: $<10\%$, and minimum starting temperature of 0 F(-18 C). All ballasts are UL & cUL listed, and meet ANSI C82.11 specifications for electronic ballasts. High light output, low light output, rapid start and programmed rapid start ballasts available.

Louver and Lens Options:

A12 - acrylic prismatic lenses available in multiple patterns, thicknesses and materials

PL1 - 1/2" x 1/2" x 1/2" parabolic louvers

PL2/3 - 1-1/2" x 1-1/2" x 1" parabolic louver

PL3/2 - 3/4" x 3/4" x 1/2" parabolic louver



Commercial Lighting Company

4930 Leary Ave NW

Seattle, Wa. 98107

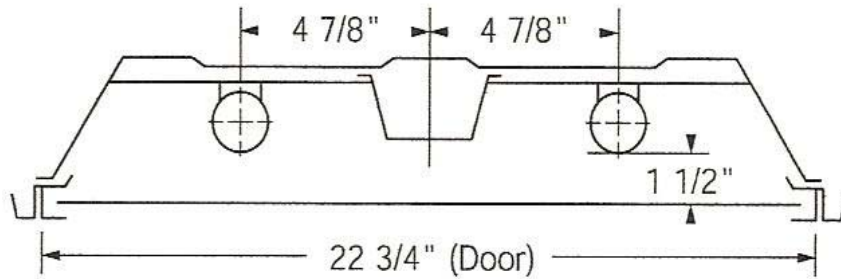
Ph (206) 682-6385

Fax (206) 624-6163

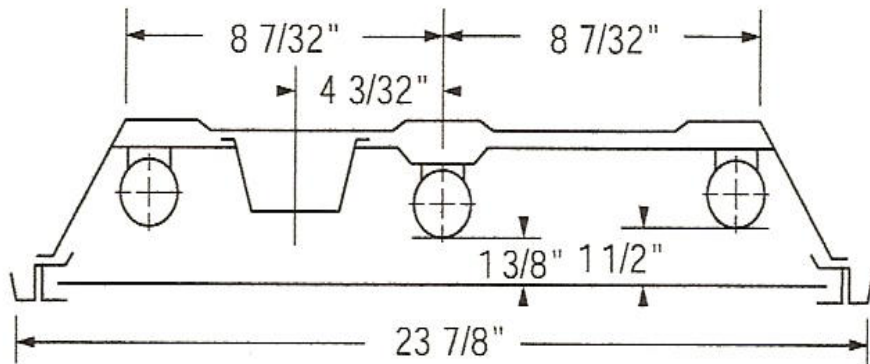
www.commerciallightingcompany.com

Ordering Information: Sample CEL24-332EBUNIV-PL2/3

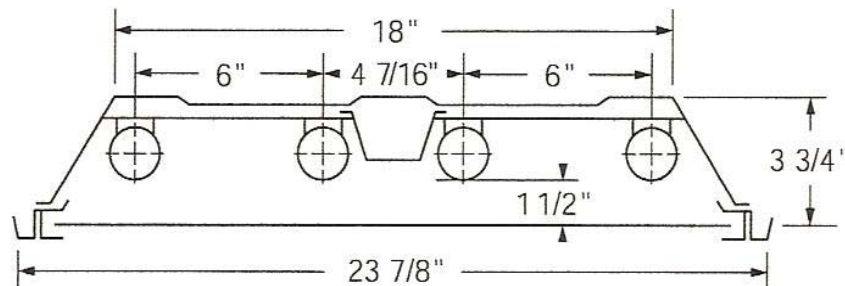
<u>CEL</u>	<u>24</u>	<u>332</u>	<u>EB</u>	<u>UNIV</u>	<u>PL2/3</u>
Series CEL	Length:	Lamps/Watts:	Ballast Type:	Voltage:	Lens/Louver:
	14 (12"x24")	2/17	EB: electronic	120v	Blank: prism
	22 (24"x 24")	3/17		UNIV	PL1: 1/2" x 1/2"
	24 (24"x48")	4/17			PL2/3: 1-1/2" x
		2/U31			1-1/2"
		2/32			PL3/2: 3/4" x 3/4"
		3/32			
		4/32			



Series CEL 2 LMP (T8 or T12)



Series CEL 3 LMP (T8 or T12)



Series CEL 4 LMP (T8 ONLY)