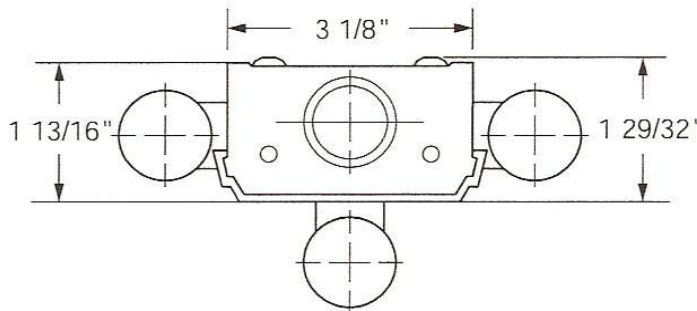


Commercial Side Mount Channel Fixtures



General Description: The **CSM Series** fixture is a side mount strip which is available in single, double, right angle or 3-light strip. CSM Series fixtures are available in 18", 24", 36", 48" single lamp lengths and 96" tandem configurations. Fixtures are designed for ceiling mount, wall mount or chain hanging. All fixtures are locally assembled and UL listed.

Ballast Specifications: Standard fixtures utilize instant start electronic ballasts. All ballasts carry a five year warranty. Universal voltage (120v -277v) ballasts are standard on all T8 fixtures. All T8 ballasts have a min. ballast factor $>.87$ as ANSI specified, and a min. power factor $>98\%$. All ballasts have input frequency 50/60Hz, low THD: $<10\%$, and minimum starting temperature of 0 F (-18 C). All ballasts are UL & cUL listed, and meet ANSI C82.11 specifications for electronic ballasts. High light output, low light output, rapid start and programmed rapid start ballasts available.



3 Lamp CSM Series Fixture



Commercial Lighting Company

4930 Leary Ave NW

Seattle, Wa. 98107

Ph (206) 682-6385

Fax (206) 624-6163

www.commerciallightingcompany.com

Ordering Information: Sample CSM96T-232EBUNIV

<u>CSM</u>	<u>96</u>	<u>T</u>	<u>232</u>	<u>EB</u>	<u>UNIV</u>
Series CSM	Length:	Tandem:	Lamps/Watts:	Ballast Type:	Voltage:
	18"	T8 (yes)	1-2-3/15w	EB: electronic	UNIV
	24"		1-2-3/17w		
	36"		1-2-3/25w		
	48"		1-2-3/32w		
	96T"		2-4-6/32w		

Series CSM Back Plans

