

Recessed Direct/Indirect Troffer Retrofit Kits



- Update the look of any 2x2 or 2x4 Deep Cell Housing with the contemporary appearance of a recessed direct/indirect luminaire
- Versatile Louver Design - Fits most Recessed Fixtures*
- Balanced illumination from the combination of Direct and Indirect elements

*Kwik Change Version Available

Preliminary Specifications

Door Frame: Frameless box flange can be configured to most hinge / latch locations. Features positive latching mechanism for easy re-lamping. Flanged versions available.

Baffles: Precision parabolic blades available in any of our standard finishes.

Perforated Diffuser: White perforated metal diffuser is roll-formed for precise radius. White acrylic inlay.

Luminaire Type: Recessed 2 X 2' or 2 x 4' for deep cell parabolic. Replaces 18 cell or 9 cell nominal 3" deep parabolic louver. Also available with Kwik Change door frame for shallower fixture bodies.



Commercial Lighting Company

4930 Leary Ave NW

Seattle, WA. 98107

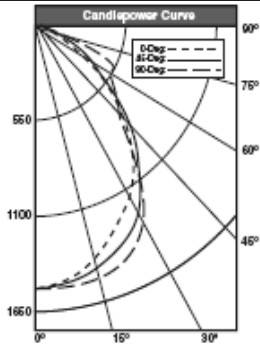
Ph (206) 682-6385

Fax (206) 624-6163

Toll Free (800) 992-LITE

www.commerciallightingcompany.com

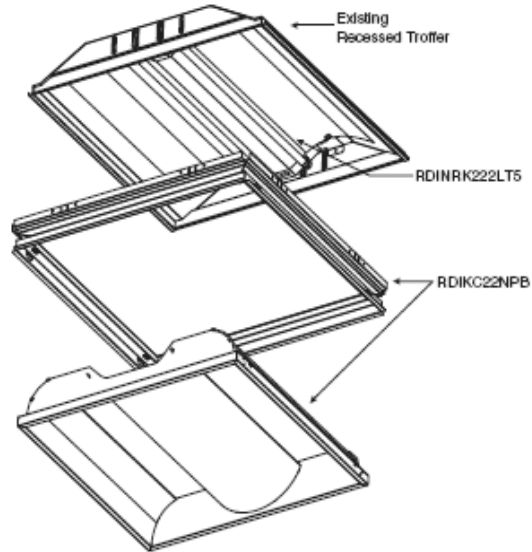
RDI T8 3-lamp 2x4
 Direct / Indirect Luminaire
 Specular Louver
 White Overlay
 Lamps: (3) F32T8
 Rated Lumens: 2950



COEFFICIENTS OF UTILIZATION

Room Cavity Ratio	CEILING CAVITY REFLECTANCE											
	80				70				50			
	70	50	30	10	70	50	30	10	50	30	10	
0	46	46	46	46	45	45	45	45	43	43	43	
1	43	41	39	38	42	40	39	38	38	37	36	
2	39	36	34	32	38	36	33	31	34	32	31	
3	36	32	29	27	35	32	29	27	31	28	26	
4	33	29	26	23	32	28	25	23	27	25	23	
5	31	26	23	20	30	26	23	20	25	22	20	
6	28	24	20	18	28	23	20	18	23	20	18	
7	26	22	18	16	26	21	18	16	21	18	16	
8	25	20	17	14	24	19	17	14	19	16	14	
9	23	18	15	13	23	18	15	13	18	15	13	
10	22	17	14	12	21	17	14	12	16	14	12	

Assembly Detail



Kwik Change RDI Basket and Baffle Assembly

- RDIKC22SSS** RDI KC 2x2 with Specular Baffle Assembly
- RDIKC24SSS** RDI KC 2x4 with Specular Baffle Assembly
- RDIKC22PB** RDI KC 2x2 with Perforated Basket Assembly
- RDIKC24PB** RDI KC 2x4 with Perforated Basket Assembly
- RDIKC22NPB** RDI KC 2x2 with Narrow Perforated Basket Assembly
- RDIKC24NPB** RDI KC 2x4 with Narrow Perforated Basket Assembly

RDI Lamp Bkt Reflector or Ballast Cover Kit

- RDIWK222L** RDI Wiring Kit 2x2 T8 2-lamp
- RDIWK223L** RDI Wiring Kit 2x2 T8 3-lamp
- RDIWK242L** RDI Wiring Kit 2x4 T8 2-lamp
- RDIWK243L** RDI Wiring Kit 2x4 T8 3-lamp
- RDINRK222LT5** RDI Wiring Reflector Kit 2' 2L T5
- RDINRK223LT5** RDI Wiring Reflector Kit 2' 3L T5
- RDINRK242LT5** RDI Wiring Reflector Kit 4' 2L T5
- RDINRK243LT5** RDI Wiring Reflector Kit 4' 3L T5
- RDINRK222LT8** RDI Wiring Reflector Kit 2' 2L T8
- RDINRK242LT8** RDI Wiring Reflector Kit 4' 2L T8

Commercial Lighting Company

4930 Leary Ave NW
 Seattle, WA. 98107
 Ph (206) 682-6385 Fax (206) 624-6163
www.commerciallightingcompany.com