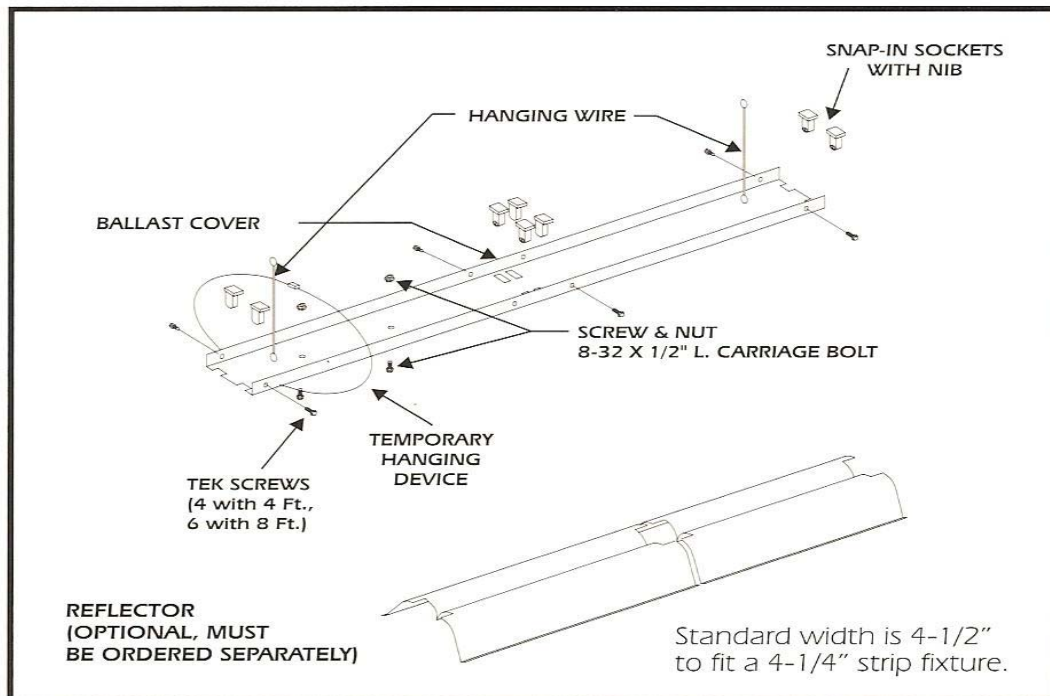


## CAS Series Convert-A-Strip Kits



**General Description:** Commercial Lighting offers an inexpensive alternative for converting energy consuming T12 fixtures to energy efficient T8s. **CAS Series Convert-A-Strip** fits all 4 1/4" wide (CAS82 and CAS84) 1 and 2 lamp strip fixtures and 1 and 2 lamp 5 1/4" wide (CAS84HO) enables the user to easily upgrade in the field. **CAS Series Convert-A-Strips** are available with ballasts installed or without.

**Ballast Specifications:** Standard fixtures utilize instant start electronic ballasts. All ballasts carry a five year warranty. Universal voltage (120v -277v) ballasts are standard on all T8 fixtures. All T8 ballasts have a min. ballast factor >.87 as ANSI specified, and a min. power factor >98%. All ballasts have input frequency 50/60Hz, low THD: <10%, and minimum starting temperature of 0 F(-18 C). All ballasts are UL & cUL listed, and meet ANSI C82.11 specifications for electronic ballasts. High light output, low light output, rapid start and programmed rapid start ballasts available.



### Commercial Lighting Company

4930 Leary Ave NW

Seattle, Wa. 98107

Ph (206) 682-6385

Fax (206) 624-6163

[www.commerciallightingcompany.com](http://www.commerciallightingcompany.com)

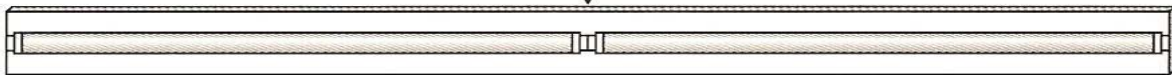
<b>Model</b>	<b>Description</b>
CAS82LH	CAS 2L T8 Tandem, No Ballast
CAS82LH-UNIV	CAS 2L T8 Tandem, Ballast Included
CAS84LH	CAS 4L T8 Tandem, No Ballast
CAS84LH-UNIV	CAS 4L T8 Tandem, Ballast Included
CAS84HOLH	CAS 4L T8 Tandem, HO Strip (5 1/4"W), No Ballast
CAS84HOLH-UNIV	CAS 4L T8 Tandem, HO Strip (5 1/4"W), Ballast Included

## Convert-A-Strip Configurations

### Order CAS 82LH



Converts To

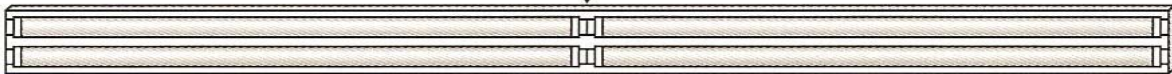


**Single Lamp T12 to Two Lamp T8**

### Order CAS 84LH



Converts To



**Double Lamp T12 to Four Lamp T8**

### Features\ Benefits:

#### **Ballast Cover:**

- Pre-punched for ballast mounting bolts—no need for ballast disposal
- Made from pre-painted white steel with 91% reflectance

#### **Ease of Installation:**

- Tek Screws (6 in 8 ft. units)
- Unit may be completely wired in UL listed shop prior to field installation
- Pre-installed hanging wires—no special tooling required
- Support loop for hanging purposes—lamps are locked in place and cannot fall out
- In stock for local delivery or pickup
- Meets or exceeds UL #1570 standards

#### **Reflector Option:**

- Works with Models RA 1004 (single lamp) and RA 2004 (double lamp) 4' Anodized Aluminum Reflectors