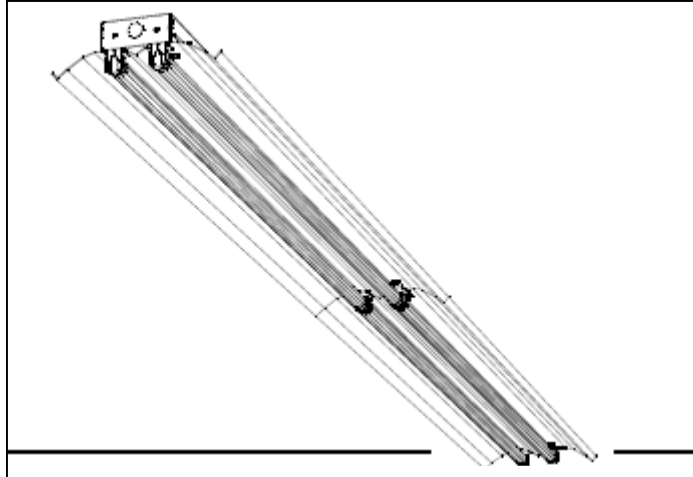


Strip Fixture Retrofit Kits



Description: Multi-piece retrofit kit for converting energy consuming T12 fixtures to energy efficient T8 fixtures. Installation entails removal of existing ballast covers, ballast and socket bars. New ballast is installed, retrofit socket bars are attached to existing channel with self-tapping screws. The reflectors are positioned between the socket bars and attached with quarter-turn fasteners. Pre-wired ballast and socket kits are available.

Ballast Specifications: Pre-wired kits utilize instant start electronic ballasts. All ballasts carry a five year warranty. Universal voltage (120v -277v) ballasts are standard on all T8 fixtures. All T8 ballasts have a min. ballast factor $>.87$ as ANSI specified, and a min. power factor $>98\%$. All ballasts have input frequency 50/60Hz, low THD: $<10\%$, and minimum starting temperature of 0 F(-18 C). All ballasts are UL & cUL listed, and meet ANSI C82.11 specifications for electronic ballasts. High light output, low light output, rapid start and programmed rapid start ballasts available.

Commercial Lighting Company

4930 Leary Ave NW
Seattle, Wa. 98107
Ph (206) 682-6385
Fax (206) 624-6163

www.commerciallightingcompany.com

Strip Fixture Retrofit Kit

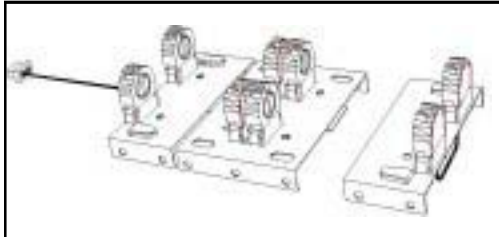
Press-brake formed reflector profile

Available in reflectances ranging from 85% to 95% to meet every performance and budget requirement.

One piece center bracket simplifies and speeds up installation

Designed and analyzed on proprietary software for optimal performance

Solid, 0.032" gloss white steel socket bars



B-VERSABRACKET: One piece conversion socket bar breaks apart to form socket bars and center piece; adaptable to 4.25" or 5.00" channel; Converts to one or two lamp cross sections; accepts quarter turn fasteners for reflector installation

Individual Components	Description
B-VERSABRACKET	1x4, 1x8, 1, 2 or 4-lamp bracket kit
R-14EA8S	1x4 8" Enhanced Aluminum Reflector
26.292.6212.50	T8 Bi-Pin Socket

Kits	Description
CAS42REALH	2-Lamp 4' Reflector Kit w/ Sockets, No-Ballast
CAS84REALH	4-Lamp 8' Reflector Kit w/ Sockets, No-Ballast
CAS42REALH-UNIV	2-Lamp 4' Reflector Kit w/ Sockets, Prewired Ballast
CAS84REALH-UNIV	4-Lamp 8' Reflector Kit w/ Sockets, Prewired Ballast

Commercial Lighting Company

4930 Leary Ave NW
Seattle, Wa. 98107
Ph (206) 682-6385
Fax (206) 624-6163

www.commerciallightingcompany.com