

Narrow High Bay "Aisle Lighter" Fixture

Applications: Warehouses, Retail Stores, Industrial



Available in 3-Lamp, 4-Lamp,
6-Lamp, and 8-Lamp configurations

General Description:

The Narrow High Bay "Aisle Lighter" Series Fixtures are designed for Commercial and Industrial applications that require dependable, efficient light.

The NHB fixtures have heavy-duty construction, versatile mounting options and ease of maintenance that offer a competitive choice for energy efficient lighting and an economical choice as an HID alternative.

Luminaires can be individually surface mounted, chain hung; pendant mounted or hung in continuous rows. Lamp options include T8, T5 and T5HO. Knockouts are provided on housing back and ends for both mounting and wiring ease.

Electrical:

- Energy saving and electronic Class P, CBM/ETL certified HPF ballast comply with Federal Energy Efficiency Standards
- Underwriters Laboratories listed

Features:

- Computer assisted design provides maximum light output, uniform light distribution, rigid strength
- Ballast access without the use of tools
- Reflectors are constructed from highly polished enhanced aluminum (EA) or white aluminum (WA).
- All painted metal parts are pretreated with a phosphate bonding process and painted with electrostatically applied, high temperature baked, white enamel for superior quality and durability.
- Material form, fit and thickness meet or exceed all UL 1598 requirements.

Benefits:

- Wiring components are mounted to the one-piece back housing, permitting easy access by removal of the cover without removing fixture.
- An economical choice as an HID alternative
- Surface mount, chain hung, pendant mount or can be hung in continuous rows

Housings: Die formed code gauge steel housing and ends, embossed for strength and uniformity. Heavy-duty ends attach to housing with interlocking tabs and screws.



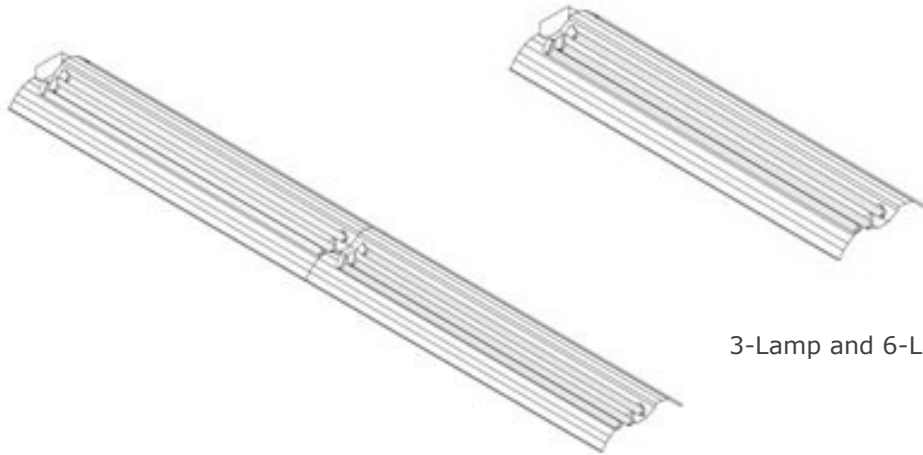
COMMERCIAL LIGHTING COMPANY
Manufacturing & Assembly | Fluorescent Lighting Fixtures & Retrofit Kits

4930 Leary Avenue NW | Seattle, WA 98107
800-992-5483 toll free | 206-682-6385 office | 206-624-6163 fax

www.commerciallightingcompany.com



Narrow High Bay "Aisle Lighter" Fixture



***Reflector Material Type**

EA = 95% Enhanced Aluminum
 WA = 91% White Aluminum

3-Lamp and 6-Lamp configurations

Narrow High Bay Aisle Lighter Fixture Ordering Guide | 3-Lamp and 6-Lamp Fixtures

NHB	Lamps	Lamp Type	Wattage	Fixture Length	Reflector*	Ballast
Narrow High Bay Fixture NHB	3-Lamps 6-Lamps	T5 T5HO T8	32 = 32 Watt T8 54 = 54 Watt T5 54 = 54 Watt T5HO	48 = 4ft 96 = 8ft	EA = 95% WA = 91%	L = Low N = Normal H = High 4 = 480 Volt



COMMERCIAL LIGHTING COMPANY
 Manufacturing & Assembly | Fluorescent Lighting Fixtures & Retrofit Kits

4930 Leary Avenue NW | Seattle, WA 98107
 800-992-5483 toll free | 206-682-6385 office | 206-624-6163 fax

www.commerciallightingcompany.com



Narrow High Bay "Aisle Lighter" Fixture

Coefficients of Utilization-Zonal Cavity Method											
Effective Floor Cavity Reflectance 0.20											
RC	80%				70%				50%		
RW	70%	50%	30%	10%	70%	50%	30%	10%	50%	30%	10%
0	105	105	105	105	102	102	102	102	96	96	96
1	94	90	85	81	91	87	83	79	82	79	76
2	85	78	71	66	82	75	69	64	71	66	62
3	78	68	61	55	75	66	59	54	63	57	52
4	71	60	52	46	69	59	51	46	56	49	44
5	65	53	45	39	63	52	44	38	49	43	37
6	60	48	39	34	58	46	39	33	44	37	32
7	55	43	35	29	53	42	34	29	40	33	28
8	51	38	31	25	49	38	30	25	36	29	24
9	47	35	27	22	45	34	27	22	32	26	21
10	44	31	24	19	42	31	24	19	29	23	19

Plane: 0-DEG 90-DEG
Spacing Criteria: 1.2 1.1
Efficiency: 89.1%
Photometric Certified by: Luminaire Testing Laboratory
Report No.: LTL03779

Catalog Number: FSM-33248-SA-N
Lamps: Three F32T8
Ballast: Electronic 3-F32IS

Coefficients of Utilization-Zonal Cavity Method											
Effective Floor Cavity Reflectance 0.20											
RC	80%				70%				50%		
RW	70%	50%	30%	10%	70%	50%	30%	10%	50%	30%	10%
0	105	105	105	105	102	102	102	102	96	96	96
1	94	89	85	81	91	87	83	79	82	79	76
2	85	78	71	66	82	75	69	64	71	66	62
3	78	68	61	55	75	66	59	54	63	57	52
4	71	60	52	46	69	59	51	46	56	49	44
5	65	53	45	39	63	52	44	38	49	43	37
6	60	48	39	34	58	46	39	33	44	37	32
7	55	43	35	29	53	42	34	29	40	33	28
8	51	38	31	25	49	38	30	25	36	29	24
9	47	35	27	22	45	34	27	22	32	26	21
10	44	31	24	19	42	31	24	19	29	23	19

Plane: 0-DEG 90-DEG
Spacing Criteria: 1.2 1.1
Efficiency: 89.1%
Photometric Certified by: Luminaire Testing Laboratory
Report No.: LTL03777

Catalog Number: FSM-63296-SA-N
Lamps: Six F32T8
Ballast: Electronic (2) 3-F32IS



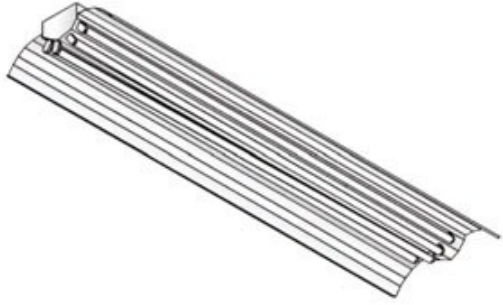
COMMERCIAL LIGHTING COMPANY
 Manufacturing & Assembly | Fluorescent Lighting Fixtures & Retrofit Kits

4930 Leary Avenue NW | Seattle, WA 98107
 800-992-5483 toll free | 206-682-6385 office | 206-624-6163 fax

www.commerciallightingcompany.com



Narrow High Bay "Aisle Lighter" Fixture



***Reflector Material Type**

EA = 95% Enhanced Aluminum
 WA = 91% White Aluminum

4-Lamp and 8-Lamp configurations

Narrow High Bay Aisle Lighter Fixture Ordering Guide | 4-Lamp and 8-Lamp Fixtures

NHB	Lamps	Lamp Type	Wattage	Fixture Length	Reflector*	Ballast
Narrow High Bay Fixture NHB	4-Lamps 8-Lamps	T5 T5HO T8	32 = 32 Watt T8 54 = 54 Watt T5 54 = 54 Watt T5HO	48 = 4ft 96 = 8ft	EA = 95% WA = 91%	L = Low N = Normal H = High 4 = 480 Volt



COMMERCIAL LIGHTING COMPANY
 Manufacturing & Assembly | Fluorescent Lighting Fixtures & Retrofit Kits

4930 Leary Avenue NW | Seattle, WA 98107
 800-992-5483 toll free | 206-682-6385 office | 206-624-6163 fax

www.commerciallightingcompany.com



Narrow High Bay "Aisle Lighter" Fixture

Coefficients of Utilization-Zonal Cavity Method											
Effective Floor Cavity Reflectance 0.20											
RC	80%				70%				50%		
RW	70%	50%	30%	10%	70%	50%	30%	10%	50%	30%	10%
0	106	106	106	106	104	104	104	104	99	99	99
1	97	93	90	86	95	91	88	85	87	85	82
2	89	82	76	71	87	80	75	70	77	73	69
3	82	73	66	60	80	71	65	60	69	63	59
4	75	65	57	52	73	64	57	51	61	55	51
5	69	58	50	44	67	57	49	44	55	48	43
6	64	52	44	38	62	51	44	38	49	43	38
7	59	47	39	34	57	46	39	34	45	38	33
8	54	42	35	29	53	42	34	29	40	34	29
9	50	38	31	26	49	37	30	26	36	30	25
10	47	35	28	23	45	34	27	23	33	27	23

Plane: 0-DEG 90-DEG
Spacing Criteria: 1.2 1.0
Efficiency: 101.6%
Photometric Certified by: Luminaire Testing Laboratory
Report No.: LTL7 6971

Catalog Number: FSP-45448-SA-H
Lamps: Four F54T5
Ballast: Electronic 4-F54HO

Coefficients of Utilization-Zonal Cavity Method											
Effective Floor Cavity Reflectance 0.20											
RC	80%				70%				50%		
RW	70%	50%	30%	10%	70%	50%	30%	10%	50%	30%	10%
0	106	106	106	106	104	104	104	104	99	99	99
1	97	93	90	86	95	91	88	85	87	85	82
2	89	82	76	71	87	80	75	70	77	73	69
3	82	73	66	60	80	71	65	60	69	63	59
4	75	65	57	52	73	64	57	51	61	55	51
5	69	58	50	44	67	57	49	44	55	48	43
6	64	52	44	38	62	51	44	38	49	43	38
7	59	47	39	34	57	46	39	34	45	38	33
8	54	42	35	29	53	42	34	29	40	34	29
9	50	38	31	26	49	37	30	26	36	30	25
10	47	35	28	23	45	34	27	23	33	27	23

Plane: 0-DEG 90-DEG
Spacing Criteria: 1.3 1.1
Efficiency: 89.3%
Photometric Certified by: Luminaire Testing Laboratory
Report No.: LTL07318

Catalog Number: FSP-83296-EA-H
Lamps: Eight F32T8
Ballast: Electronic (2) 4-F32IS

COMMERCIAL LIGHTING COMPANY
 Manufacturing & Assembly | Fluorescent Lighting Fixtures & Retrofit Kits

4930 Leary Avenue NW | Seattle, WA 98107
 800-992-5483 toll free | 206-682-6385 office | 206-624-6163 fax

