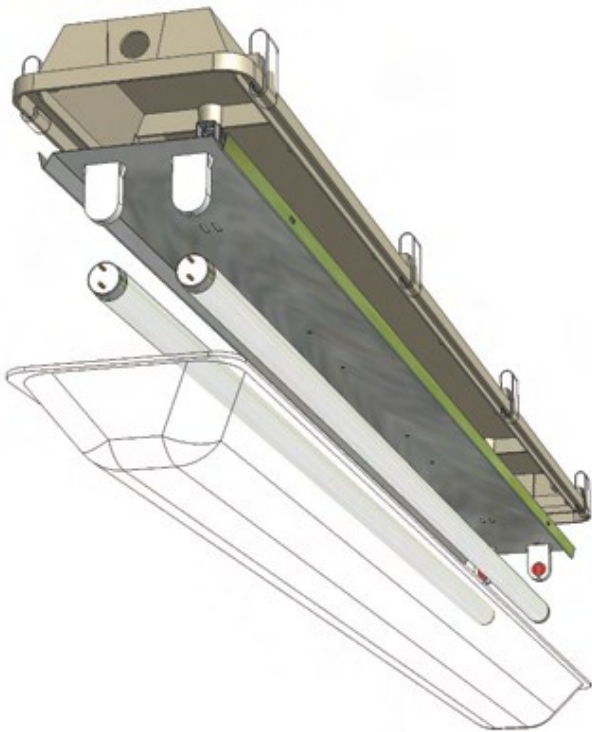


## CT Vapor Tight Fixture

**Applications:** Light Industrial, Light Commercial, Hospitals, Schools, Transportation Facilities, Pool Facilities, Tunnels, Food Processing, Bottling Facilities, Refrigerated Storage, Green Houses, Restaurant Service Areas, etc



Available in 1-Lamp, 2-Lamp, 3-Lamp, 4-Lamp, and 6-Lamp

### General Description:

Wide gasketed enclosures for wet, damp or dusty locations. One piece, impact-resistant fiberglass reinforced polyester housing. Continuous poured neoprene gasket. UV stabilized polycarbonate (15% DR) lens with easy cleaning, smooth finish outside.

Stainless Steel latches standard. Surface, chin pendant or continuous row mounting (lens down only). Housing provided with 7/8" knockout at ends for conduit. All fixtures are IP65 & IP67 standard.

### Benefits:

- The CT Vapor Tight Series is economically and efficiently designed.
- Produces quality light in commercial, industrial and institutional applications in damp locations.
- Designed for wet environments where luminaire is surface mounted and susceptible to water splash or spray.

### Electrical:

- Electronic Class P, CBM/ETL certified HPF ballast comply with Federal Energy Efficiency Standards
- UL listed
- UL evaluated for 25°C & 40°C ambient temperatures
- Pressure-lock lamp holders for good electrical contact and safe lamp retention.
- Instant start ballasts are standard on all T8 Fixtures (120-277 Volt)
- T5 and T5HO Fixtures utilize rapid start ballast
- Power factor  $\geq 0.98$ ;  $\leq 10$  maximum current THD (%); ballast factor 1.05
- Minimum starting temperature .0°F/-18°C; Maximum ambient temperature 104°F/40°C
- UL/935 listed (Class P, Type HL, Type 1 outdoor)
- CSA certified; meets ANSI standard C82.11 & C62.41
- All ballasts used carry a 3 year warranty and T8 ballasts are CEE, NMAE premium listed.

### Features:

- Ideal for service areas that are exposed to wet or dusty environments.
- Wide profile 4 and 6-Lamp T5 or T8 configurations
- 1, 2, 3, 4 and 6-Lamp configurations
- All aluminum hardware.

**Housings:** 5VA Flammability rating in accordance with UL94 and (f 1) in accordance with UL756.

**Lenses:** UV stabilized polycarbonate for temperature extremes and maximum impact resistance.

**Latches:** Stainless Steel latches provide durability and chemical resistance. Can be made tamper resistant.

**Entry Holes:** For 1/2" NPT/ M20 fittings

**Geartrays:** Pre-painted cold rolled with minimum 87% total reflectance. White aluminum standard.

### COMMERCIAL LIGHTING COMPANY

Manufacturing & Assembly | Fluorescent Lighting Fixtures & Retrofit Kits

4930 Leary Avenue NW | Seattle, WA 98107  
800-992-5483 toll free | 206-682-6385 office | 206-624-6163 fax



[www.commerciallightingcompany.com](http://www.commerciallightingcompany.com)

# CT Vapor Tight Fixture

**\*Reflector Material Type**

EA = 95% Enhanced Aluminum  
 WA = 91% White Aluminum

**WASH DOWN DESIGN:**

Designed to minimize horizontal surfaces and latch pockets that are prone to retaining debris.

**CT Vapor Tight Fixture Ordering Guide**

CT	Lamps	Lamp Type	Wattage	Fixture Length	Voltage	Reflector*	Ballast
Vapor Tight Fixture with Clear Lens <b>CT</b>	1 = 1-Lamp 2 = 2-Lamps 3 = 3-Lamps 4 = 4-Lamps 6 = 6-Lamps	T5 T5HO T8	14 = 14 Watt T5 17 = 17 Watt T8 28 = 28 Watt T5 32 = 32 Watt T8 54 = 54 Watt T5HO	24 = 2ft 48 = 4ft 96 = 8ft	U = Universal (120-277v)	EA = 95% WA = 91%	L = Low N = Normal H = High 4 = 480 Volt



**COMMERCIAL LIGHTING COMPANY**  
 Manufacturing & Assembly | Fluorescent Lighting Fixtures & Retrofit Kits

4930 Leary Avenue NW | Seattle, WA 98107  
 800-992-5483 toll free | 206-682-6385 office | 206-624-6163 fax

[www.commerciallightingcompany.com](http://www.commerciallightingcompany.com)

