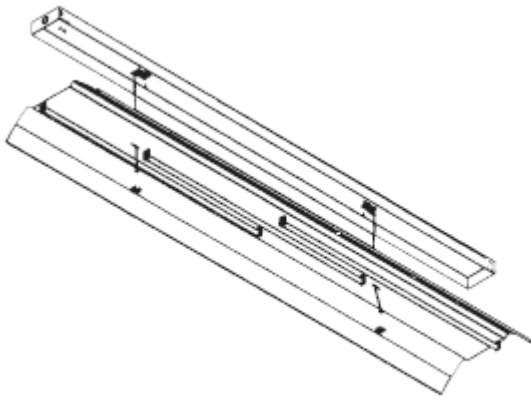


RK Ball and Chain Reflector Conversion Kit

Applications: To retrofit 4.25" - 5.00" wide 8-foot T12 strip-fixtures to T8 fixtures with 2 or 4 lamps.



RK Ball and Chain Reflector Conversion Kit

General Description:

The RK Ball and Chain Reflector Conversion Kit is an economical and efficient product for upgrading T12 strip fixtures with channels 4.25" - 5.00 inch wide to more efficient T8 lamped fixtures.

The kit's 8-foot white aluminum reflector holds the ballast and sockets for either two or four lamp configurations. All sockets, wire-leads, screws and a quick disconnect connector are supplied with the kit—along with the ball and chain connection system, which is used to attach the kit to the underside of the existing channel.

The reflector can be removed easily for ballast maintenance after installation.

Kit Includes:

- Reflector—White aluminum
- Prewired sockets and wire leads
- Quick connect power connector
- Ball and chain connection system

Electrical:

The RK Ball and Chain Reflector Conversion can be ordered with or without a ballast.

Prewired Kit: Prewired (PR) Kit does not include a ballast. The Kit does include a reflector, four or eight pre-wired sockets, wire-leads, one quick-disconnect power connector and the ball and chain connection system.

Prewired with Ballast: Prewired with Ballast (PRB) Kit includes an Instant Start CEE listed NEMA ballast, the four or eight pre-wired sockets, wire-leads, a quick disconnect power connector and the ball and chain connection system. PRB Kit is UL Labeled. Ballast is warranted for 3 years.

Add-ons:

Program Start Ballast: For areas where lights are switched on and off often.

Dimmable Ballast: For areas where dimming is desired.

Lamps: GE premium lamps.

Ordering Guide Example: RK96T432PRB Reflector Kit 8 ft, 4 lamps T8 Prewired with Normal ballast

| Series | Fixture Length | Lamps | Wattage | Prewired | Prewired w/Ballast | Ballast Factor | Ballast Type |
|--------|------------------|--------------------------|---------|---------------|---------------------------------|-----------------------------------|--|
| RK | 96T = 8ft tandem | 2 = 2-Lamp 4 = 4-Lamp | 32 = T8 | PR = Prewired | B = CEE listed ballast included | L = Low N = Normal H = High | I= Instant Start PS = Program Start D = Dimmable |



COMMERCIAL LIGHTING COMPANY
Manufacturing & Assembly | Fluorescent Lighting Fixtures & Retrofit Kits

4930 Leary Avenue NW | Seattle, WA 98107
800-992-5483 toll free | 206-682-6385 office | 206-624-6163 fax
www.commerciallightingcompany.com



RK Ball and Chain Reflector Conversion Kit



COMMERCIAL LIGHTING COMPANY
Manufacturing & Assembly | Fluorescent Lighting Fixtures & Retrofit Kits

4930 Leary Avenue NW | Seattle, WA 98107
800-992-5483 toll free | 206-682-6385 office | 206-624-6163 fax
www.commerciallightingcompany.com

