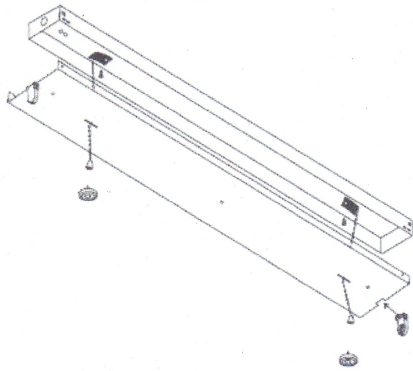


Strip Kit with Ball and Chain

Applications: Areas with 8ft T12 fixtures



Strip Kit with Ball-and-Chain

General Information:

Strip (SKBC) ball-and-chain kits are an economical and efficient design for quality lighting retrofit over existing fixture channels of 4.25".

These ballast pan kits are designed to convert T12 lamped strip fixtures to efficient T5 and T8 lamped fixtures.

SKBC Retrofit Strip Kits are available complete with ballast attached to the ballast pan, spring clips, retention chains and sockets. Installation of the kit is simple, fast and requires only basic tools.

Ordering Notes:

1. Use of rapid start or programmed start ballasts requires unshunted lampholders and must be specified at time of placing order.
2. Channel widths larger than 5 inches or narrower than 4 inches are a special order (please contact the office for instructions 206-682-6385).

SKBC Retrofit Strip Kit Ordering Guide

SKBC	Channel Width	Luminaire Length	Lamps	Wattage	Prewired	Prewired Ballast	Ballast	Socket Pin
SKBC	4 = 4.25"	96T = 8ft tandem	2 = 2-Lamp 4 = 4-Lamp	32 = 32 Watt T8 54 = 54 Watt T5HO	PR = Prewired sockets, self tapping screws, connectors, fasteners & leads	B = Prewired sockets, self tapping screws, connectors, fasteners, leads & ballast	L = Low N = Normal H = High	B = T8 Bi-pin C = T5 Bi-pin

Prewired (PR) configurations include all sockets, wire leads and connectors, screws and fasteners required, user may install ballast with no additional components required.

Pre-wired (PRB) kits include all pre-wired components and CEE listed instant-start ballast.

Electrical Accessories:

- All ballasts carry 3-year warranty

Features:

- Easy retrofit option for T5 and T8 fixtures
- Kits include all components necessary

Standard Prewired SKBC Kit (PR) Includes:

- Pre-wired sockets & wire leads (ballast not included)
- Ballast cover
- Self-tapping screws, fasteners and connectors

Standard Prewired Ballast SKBC Kit (PRB) Includes:

- Sockets & wire leads
- CEE listed ballast
- Ballast cover
- Self-tapping screws, fasteners and connectors



Made in USA

COMMERCIAL LIGHTING COMPANY
Manufacturing & Assembly | Fluorescent Lighting Fixtures & Retrofit Kits

4930 Leary Avenue NW | Seattle, WA 98107
800-992-5483 toll free | 206-682-6385 office | 206-624-6163 fax

www.commerciallightingcompany.com

