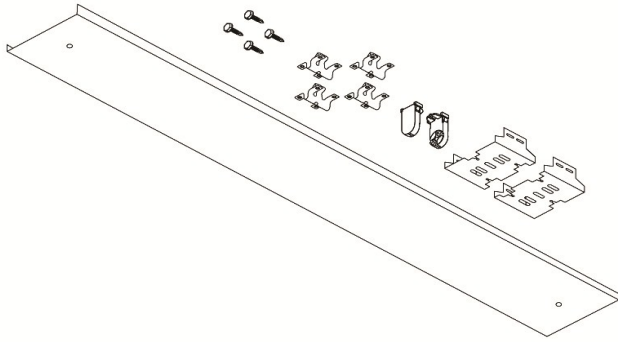
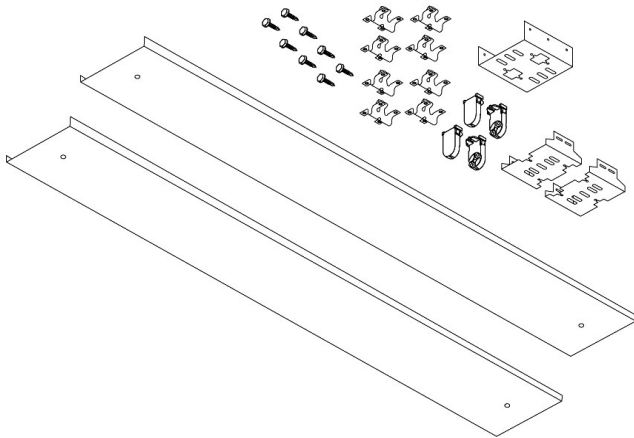


SKMP Multi-Piece Retrofit Kit

Applications: To convert 4-foot or 8-foot T12 fixtures to 2-Lamp or 4-Lamp T8 fixtures



SKMP Multi-Piece Retrofit Kit - 4ft



SKMP Multi-Piece Retrofit Kit - 8 ft tandem

Kit components can be ordered separately.

Electrical:

The SKMP Multi-Piece Retrofit Kit can be purchased with or without a ballast.

PRB Kit Includes:

- NEMA listed Instant Start ballast
- Sockets & wire leads
- Ballast cover
- Adjustable center and end brackets
- Self-tapping screws

PR Kit Includes:

- Sockets & wire leads
- Ballast cover
- Adjustable center and end brackets
- Self-tapping screws

Add-ons:

Program Start Ballast: For areas where lights are switched on and off often.

Dimmable Ballast: For areas where dimming is desired.

Lamps: GE Premium lamps

General Description:

SK Multi-Piece Retrofit Kits are designed to convert standard T12 strip fixtures with channels 4.25" - 5.00" wide into 2-Lamp or 4-Lamp T8 or T5HO strip fixtures.

Kit features a white aluminum strip and adjustable center and end brackets that accept 1-lamp or 2-lamp cross-section configurations.

Ordering Guide Example: SKMP96T432PRBH

Series	Fixture Length	Lamps	Wattage	Prewired	Prewired w/Ballast	Ballast
SKMP	48 = 4ft 96T= 8ft tandem	2 = 2-Lamp 4 = 4-Lamp	32 = T8 54 = T5HO	PR = Prewired	B = CEE listed ballast included	L = Low N = Normal H = High

COMMERCIAL LIGHTING COMPANY

Manufacturing & Assembly | Fluorescent Lighting Fixtures & Retrofit Kits

4930 Leary Avenue NW | Seattle, WA 98107
800-992-5483 toll free | 206-682-6385 office | 206-624-6163 fax

www.commerciallightingcompany.com

